

AUDIO-VIDEO BRIDGING

Modern industrial operations are working smarter, not just harder, and AVB technology is playing a critical role in innovating those systems.

By connecting sensors to the leading-edge technology that can make business-critical decisions in an instant, AVB systems developed by DornerWorks are helping manufacturers and other industrial companies adapt swiftly and with confidence.

This IP was developed for the most demanding AVB systems, including those requiring defense-class security, so you can be sure it's right for yours.

PRODUCT NAME:
AVB MODULE

PRODUCT ID:
AVBIP

LICENSING OPTIONS:
PROJECT, SOURCE CODE

KEY CAPABILITIES



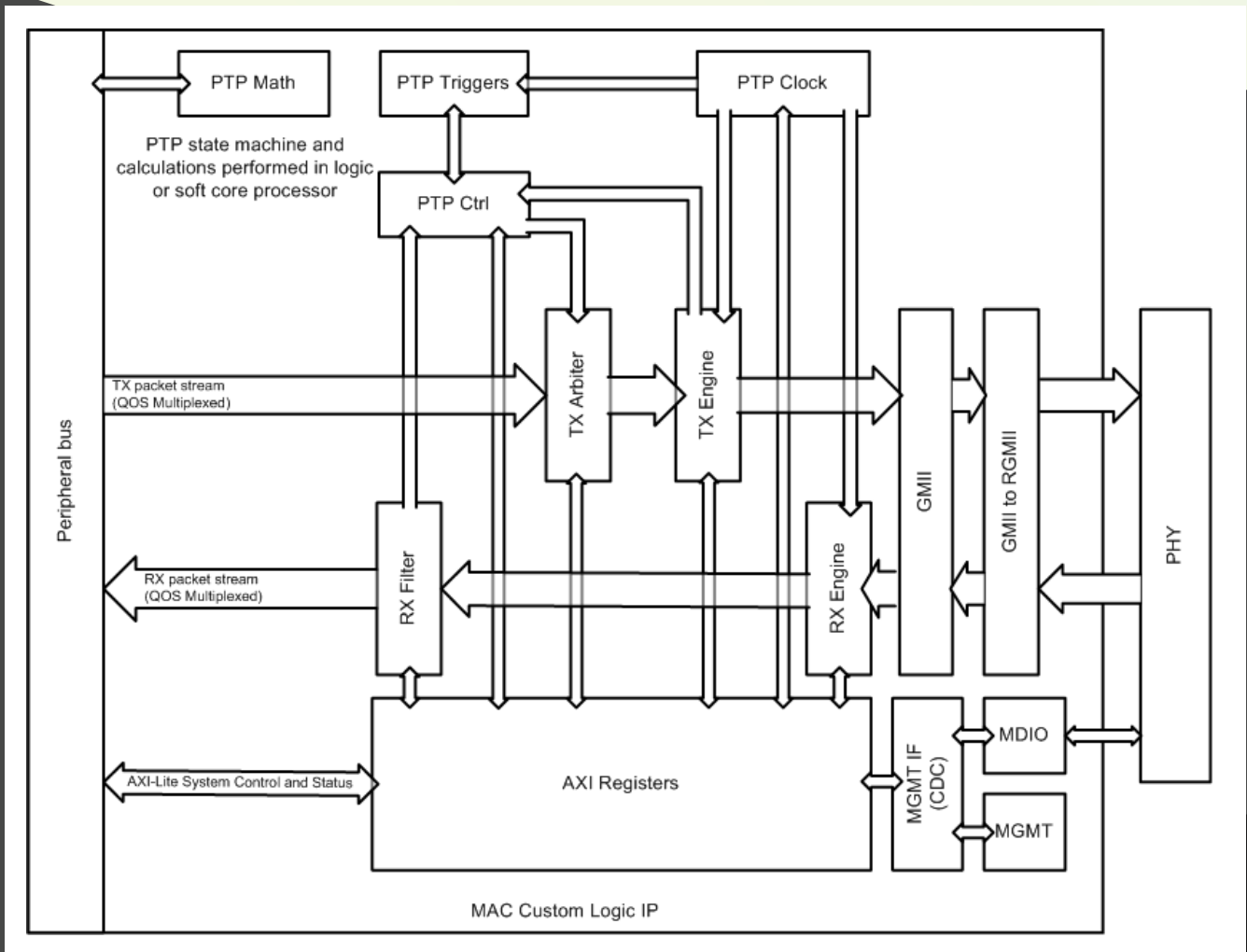
- 1Gbs full-duplex MAC (IEEE 802.3)
- Automatic gPTP (IEEE 802.1AS-REV; slave-only)
 - +/- 8 ns accuracy
 - Rapid time synchronization convergence
- High precision packet prioritization and scheduling
- RGMII and SGMII interfaces with COTS PHY with MDIO
- User-configurable time-based triggers
- One PPS output signal with configurable hold-up time
- Supports 8 QoS priority levels / traffic classes, each with configurable strict-priority and credit-based scheduler (IEEE 802.1Q-2014)
- Streaming IP with no packet buffering minimizes latency and maximizes determinism
- Xilinx AMBA/AXI4 Lite and Stream interface

DornerWorks.com | +1.616.245.8369

The FPGA logic in DornerWorks AVB solution was developed for Xilinx FPGAs. As part of the AVB IP, it enables support for multiple types of heterogeneous traffic over a common network to reduce infrastructure costs.



IP BLOCK DIAGRAM



GET THE AVB IP TODAY

DornerWorks.com | +1.616.245.8369